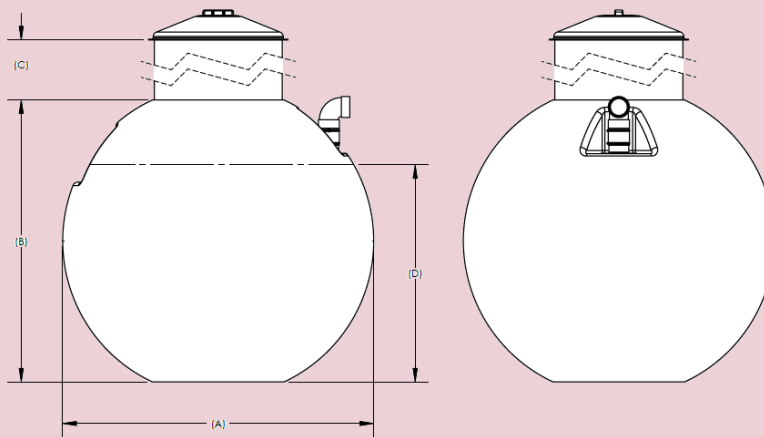
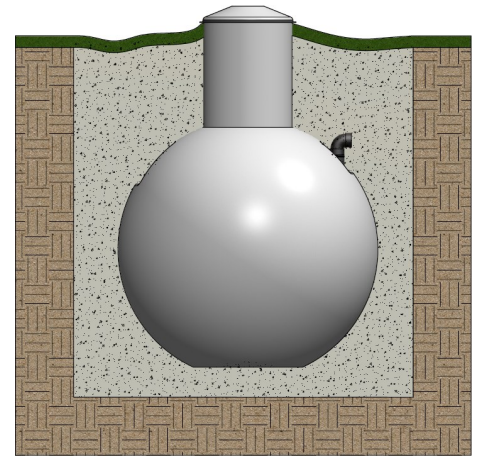


Carlson's lineup of CSA-approved underground globe tanks are versatile tanks suitable for a variety of applications with tank styles such as holding, pump-out, trickle, or siphon. All tanks come with an easy-access 30" diameter manway and lid and are available for burial depths of 2' (0.6m), 7' (2.1m), and 10' (3.0m). For water storage tanks, a NSF-approved potable water internal lining can be added.

All tanks can be customized with a variety of other options to fit your needs such as additional manway extensions, double-wall construction, insulation, heat-tracing, etc. Please refer to our optional add-ons specifications for more details.



MODEL	TANK STYLE	MANWAY HEIGHT (C)	APPROX. WEIGHT	NOMINAL VOLUME	SEPTIC VOLUME	EFFLUENT VOLUME	DIAMETER (A)	HEIGHT (B)	MAX. LIQUID LEVEL (D)
		IN (MM)	LBS (KG)	IMP. GAL (L)	IMP. GAL (L)	IMP. GAL (L)	IN (MM)	IN (MM)	IN (MM)
CECGLB-750IG-H.6	Holding	24 (610)	209 (95)	750 (3410)	604 (2746)	-	73.7 (1872)	66.8 (1696)	50.1 (1273)
CECGLB-750IG-H2.14		36 (914)	273 (124)						
CECGLB-750IG-P.6	Pump Out	24 (610)	257 (117)		488 (2219)	117 (532)			
CECGLB-750IG-P2.14		36 (914)	320 (145)						
CECGLB-750IG-P3.05		36 (914)	320 (145)						
CECGLB-750IG-T.6	Trickle	24 (610)	257 (117)		488 (2219))	117 (532)			
CECGLB-750IG-T2.14		36 (914)	268 (122)						
CECGLB-750IG-S.6	Siphon	24 (610)	253 (115)		488 (2219))	117 (532)			
CECGLB-750IG-S2.14		36 (914)	316 (143)						
CECGLB-1000IG-H.6	Holding	24 (610)	291 (132)	1000 (4546)	1105 (5022)	-	89.2 (2266)	82.3 (2090)	62.5 (1588)
CECGLB-1000IG-H2.14		36 (914)	379 (172)						
CECGLB-1000IG-H3.05		36 (914)	379 (172)						
CECGLB-1000IG-P.6	Pump Out	24 (610)	350 (159)		924 (4200)	181 (822)			
CECGLB-1000IG-P2.14		36 (914)	437 (198)						
CECGLB-1000IG-P3.05		36 (914)	437 (198)						
CECGLB-1000IG-T.6	Trickle	24 (610)	352 (160)		924 (4200)	181 (822)			
CECGLB-1000IG-T2.14		36 (914)	447 (203)						
CECGLB-1000IG-S.6	Siphon	24 (610)	349 (158)		924 (4200)	181 (822)			
CECGLB-1000IG-S2.14		36 (914)	437 (198)						