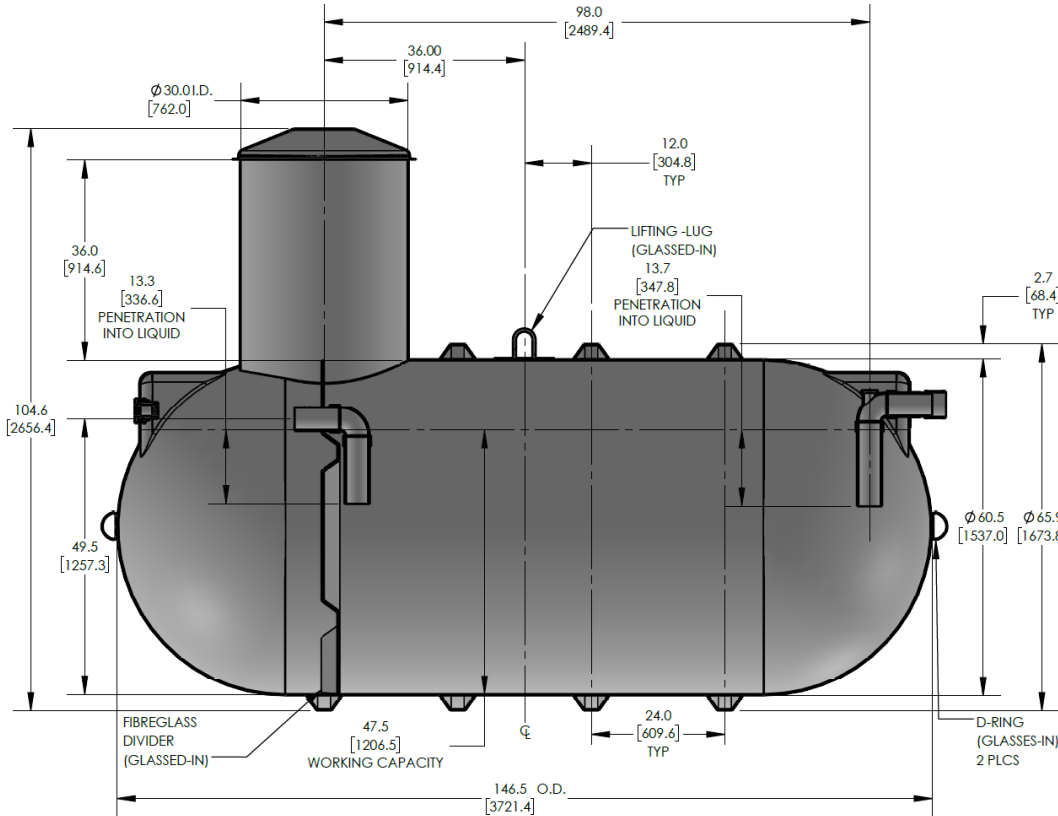


CECPIL-1250IG-5P3.05

1250 Gallon Pill Style Pump Out Tank
Product Specifications



**ENGINEERED
COMPOSITES**



FEATURES AND BENEFITS

CSA certified design and construction

Corrosion resistant

100% neat resin construction

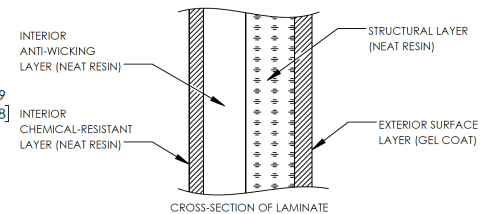
Virtually maintenance-free

External gelcoat for increased protection

30" wide easy-access manway

Includes 4" standard ABS inlet

Standard 10-year limited warranty



KEY SPECIFICATIONS

Nominal volume	1,250 imp. gallons	5,682 litres
Septic volume	865 imp. gallons	3,932 litres
Effluent volume	242 imp. gallons	1,100 litres
Overall length	146.4 in	3,718 mm
Approx. weight	587 lbs	266 kg

The CECPIL-1250IG-5P3.05 product is a CSA-approved 1250 imp. gallon fiberglass pill-style pump out tank designed for extra deep burial depths up to 3.05m (10ft). The lightweight fiberglass construction provides a durable, corrosion-resistant, and high-strength structure that requires virtually zero-maintenance.

MARKETS & APPLICATIONS



RESIDENTIAL



COMMERCIAL



AGRICULTURAL



MINING

AVAILABLE OPTIONS

- Additional fittings & connections
- Manway extensions
- Lockable manway cover
- Hinged manway cover
- Polylok effluent filter
- Double-walled construction
- Insulated or heat-traced
- NSF potable water lining
- Full customization & engineering

WWW.CARLSONCOMPOSITES.COM

PHONE: 1.204.233.0671

FAX: 1.204.233.6938

EMAIL: info@carlsoncomposites.com