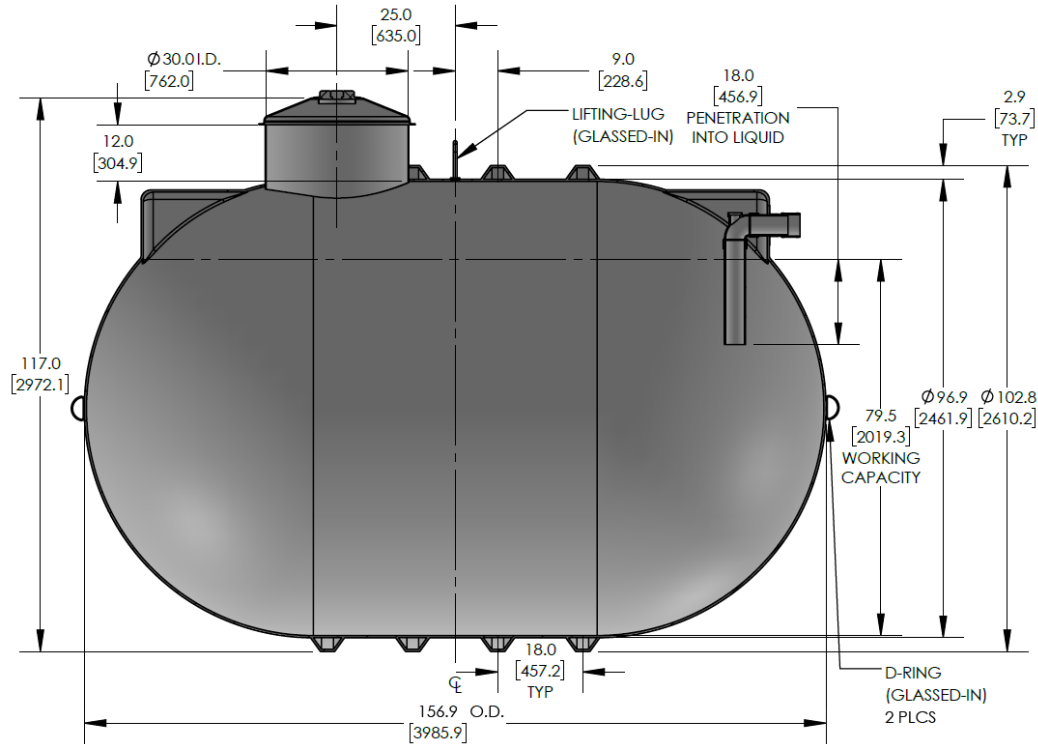


# CECPIL-3000IG-BH2.14

3000 Gallon Pill Style Holding Tank  
Product Specifications



**ENGINEERED  
COMPOSITES**



## FEATURES AND BENEFITS

- CSA certified design and construction
- Corrosion resistant
- 100% neat resin construction
- Virtually maintenance-free
- External gelcoat for increased protection
- 30" wide easy-access manway
- Includes 4" standard ABS inlet
- Standard 10-year limited warranty

The CECPIL-3000IG-8H2.14 product is an 8-ft diameter CSA-certified 3000 imp. gallon fiberglass pill-style holding tank designed for burial depths up to 2.14m (7ft). The lightweight fiberglass construction provides a durable, corrosion-resistant, and high-strength structure that requires virtually zero-maintenance.



## KEY SPECIFICATIONS

Nominal volume	3,000 imp. gallons	13,638 litres
Septic volume	2,925 imp. gallons	13,297 litres
Effluent volume	-	-
Overall length	156.9 in	3,985 mm
Approx. weight	1,487 lbs	674 kg

## AVAILABLE OPTIONS

- Additional fittings & connections
- Manway extensions
- Lockable manway cover
- Hinged manway cover
- Polylok effluent filter
- Double-walled construction
- Insulated or heat-traced
- NSF potable water lining
- Full customization & engineering

## MARKETS & APPLICATIONS



RESIDENTIAL



COMMERCIAL



AGRICULTURAL



MINING

WWW.CARLSONCOMPOSITES.COM

PHONE: 1.204.233.0671

FAX: 1.204.233.6938

EMAIL: info@carlsoncomposites.com