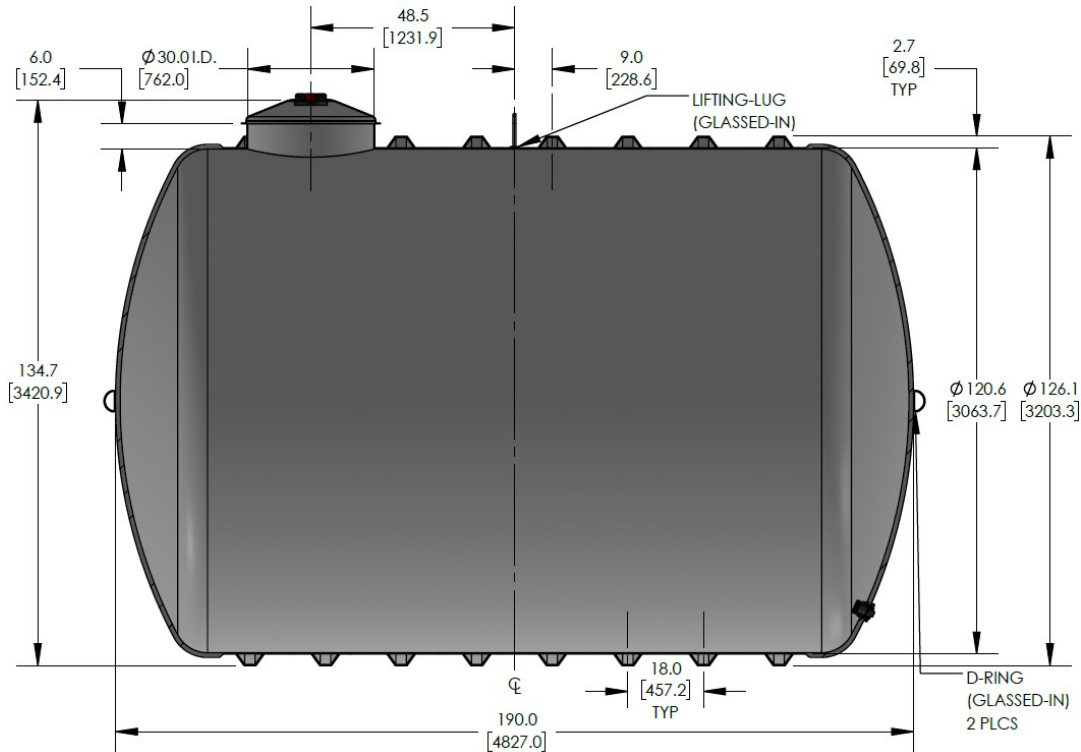


CECPIL-7000IG-10W3.66

7000 Gallon Pill Style Water Tank
Product Specifications



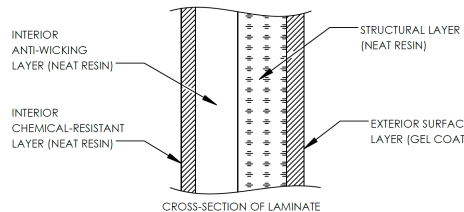
**ENGINEERED
COMPOSITES**



FEATURES AND BENEFITS

- CSA certified design and construction
- Corrosion resistant
- 100% neat resin construction
- Virtually maintenance-free
- External gelcoat for increased protection
- 30" wide easy-access manway
- Includes standard bulkhead outlet drain
- Standard 10-year limited warranty

The CECPIL-7000IG-10PW3.66 product is an 10-ft diameter CSA-certified 7000 imp. gallon fiberglass pill-style water tank designed for burial depths up to 3.66m (12ft). The lightweight filament wound fiberglass construction provides a durable, corrosion-resistant, and high-strength structure that requires virtually zero-maintenance.



KEY SPECIFICATIONS

Nominal volume	7,000 imp. gallons	31,823 litres
Septic volume	7,008 imp. gallons	31,859 litres
Effluent volume	-	-
Overall length	190.0 in	4,826 mm
Approx. weight	3,092 lbs	1,403 kg

AVAILABLE OPTIONS

- Additional fittings & connections
- Manway extensions
- Lockable manway cover
- Hinged manway cover
- Polylok effluent filter
- Double-walled construction
- Insulated or heat-traced
- NSF potable water lining
- Full customization & engineering

MARKETS & APPLICATIONS



RESIDENTIAL



COMMERCIAL



AGRICULTURAL



MINING

WWW.CARLSONCOMPOSITES.COM

PHONE: 1.204.233.0671

FAX: 1.204.233.6938

EMAIL: info@carlsoncomposites.com